

## LES POINTS FORTS

②

### STAINLESS STEEL HOT WATER TANK

The domestic hot water generated by the solar power supply is stored in a stainless steel tank in compliance with the most rigorous hygiene requirements. This

guarantees the system a long life, due to the excellent durability characteristics of the material.

③

### ENERGY PERFORMANCE

The DS-MATIC system has solar collectors with a large working absorption surface area (2.21 m<sup>2</sup>/unit), which together with the large heat exchange surface of the hot water tank

(1.93m<sup>2</sup> for the 150-litre tank and 2.74 m<sup>2</sup> for the 250-litre tank) makes exceptionally good use of the energy provided.

④

### FULL EQUIPMENT

Unlike most systems, in addition to the basic elements for functioning, Domusa has also equipped these units with complementary installation elements to ensure a long product life:

- Expansion vessel for the domestic hot water circuit
- Safety valve for the domestic hot water circuit
- Brass dielectric sleeves for both circuits (solar and domestic hot water)

⑤

### INSTALLING THE SYSTEM AT A HEIGHT

The DS-MATIC PLUS version may be installed at heights of up to 15 m with no need for solar drainage vessels or compensation tanks

to be used. This facilitates installation and prevents appearance and space problems in the home.

⑥

### SAVINGS ON ELECTRICITY CONSUMPTION

The system electronics are designed to stop one of the solar circulation pumps as soon as the water circulation inside the pump is

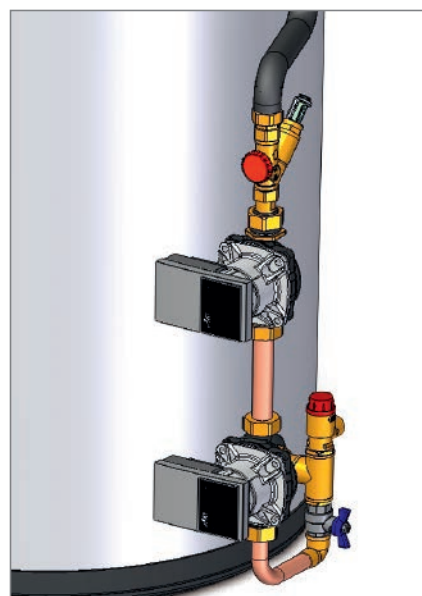
balanced, reducing electrical consumption by 50%.

⑦

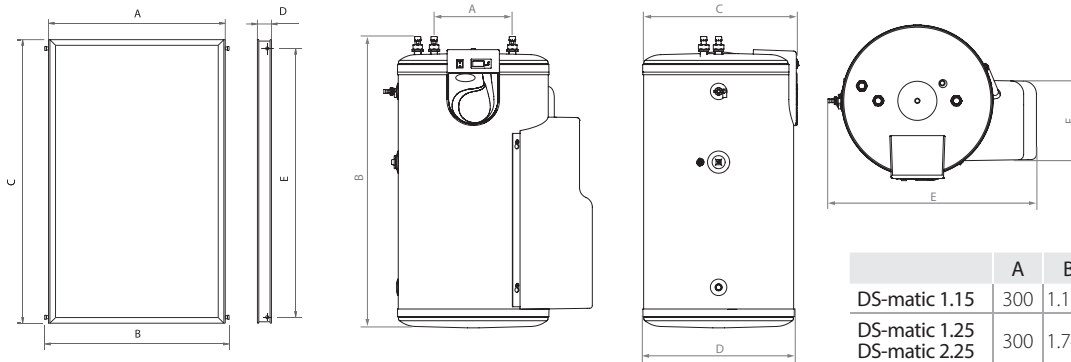
### EASY INSTALLATION AND MAINTENANCE

As there is no need for the use of an expansion vessel, drain valve or magnesium anode in the solar circuit due to its

innovative design, the system installation and maintenance over the years is simpler and cheaper.



## DIMENSIONS



	A	B	C	D	E	F
DS-matic 1.15	300	1.165	588	581	787	307
DS-matic 1.25						
DS-matic 2.25	300	1.745	588	581	787	307

## FEATURES

Complete collector supports\*

2 circulation pumps

3-bar safety valve

Balancing valve

Solar regulation

2 sensors

Fill/drain valve

Level valve

Thermometer

Switch

Flow meter

DHW expansion vessel

DHW safety valve

DHW dielectric sleeves

Primary dielectric sleeves

Inhibitor liquid

## SUPPORTS

Support for Moorish tiles for 1 collector

Support for Moorish tiles for 2 collectors

Support for flat tiles or slate for 1 collector

Support for flat tiles or slate for 2 collectors

## OPTIONS

DX DS-matic 1.15 Cathodic protection

V DS-matic 1.25/2.25 Cathodic protection

Mixing valve

1.5 kW electrical element

2.5 kW electrical element

3.5 kW electrical element

Tube casing for sloping roof

Model	Maximum installation height m		Support type	Hot water tank volume L	N° of pannels	Back-up heat exchanger surface area m <sup>2</sup>	Hot water tank heat exchange area m <sup>2</sup>	Solar absorption surface area m <sup>2</sup>	Heating Efficiency Class
	DS-matic	DS-matic PLUS							
DS-matic 1.15	10	15	No Support	150 L	1	-	1,93	2,2	C
DS-matic 1.25	10	15	No Support	250 L	1	-	2,74	2,2	
DS-matic 2.25	10	15	No Support	250 L	2	-	2,74	4,4	
DS-matic 1.15 I	10	15	Built-in sloping roof	150 L	1	-	1,93	2,2	
DS-matic 1.25 I	10	15	Built-in sloping roof	250 L	1	-	2,74	2,2	
DS-matic 2.25 I	10	15	Built-in sloping roof	250 L	2	-	2,74	4,4	
DS-matic 1.15 P	10	15	Flat roof	150 L	1	-	1,93	2,2	
DS-matic 1.25 P	10	15	Flat roof	250 L	1	-	2,74	2,2	
DS-matic 2.25 P	10	15	Flat roof	250 L	2	-	2,74	4,4	
DS-matic 1.15 Duo	10	15	No Support	150 L	1	0,50	1,93	2,2	
DS-matic 1.25 Duo	10	15	No Support	250 L	1	0,85	2,74	2,2	
DS-matic 2.25 Duo	10	15	No Support	250 L	2	0,85	2,74	4,4	
DS-matic 1.15 Duo I	10	15	Built-in sloping roof	150 L	1	0,50	1,93	2,2	
DS-matic 1.25 Duo I	10	15	Built-in sloping roof	250 L	1	0,85	2,74	2,2	
DS-matic 2.25 Duo I	10	15	Built-in sloping roof	250 L	2	0,85	2,74	4,4	
DS-matic 1.15 Duo P	10	15	Flat roof	150 L	1	0,50	1,93	2,2	
DS-matic 1.25 Duo P	10	15	Flat roof	250 L	1	0,85	2,74	2,2	
DS-matic 2.25 Duo P	10	15	Flat roof	250 L	2	0,85	2,74	4,4	

**DOMUSA**  
T E K N I K

ADRESSE POSTALE  
Apdo. 95  
20730 AZPEITIA  
(Gipuzkoa) Espagne

USINE ET BUREAUX  
B° San Esteban, s/n.  
20737 ERREZIL (Gipuzkoa) Espagne  
Tel.: 00 34 943 81 38 99  
ventes.france@domusateknik.com  
www.domusateknik.com

ENTREPÔT  
Atxubiaga, 13  
B° Landeta  
20730 AZPEITIA  
(Gipuzkoa) Espagne



SOLAR HEATING SYSTEM FOR DHW PRODUCTION  
**DS-MATIC / DS-MATIC DUO**



- DHW SOLAR KIT (DRAIN BACK SYSTEM)
- STAINLESS STEEL TANK
- SELECTIVE SOLAR COLLECTOR
- COMPLETE EQUIPMENT:
  - EXPANSION VESSEL AND DHW RELIEF VALVE INCLUDED



The most advanced technology  
at the most reasonable price

DOMUSA aims to be at the forefront in the implementation of environment-friendly energy solutions, and so we have launched an innovative system using solar power for Domestic Hot Water production.

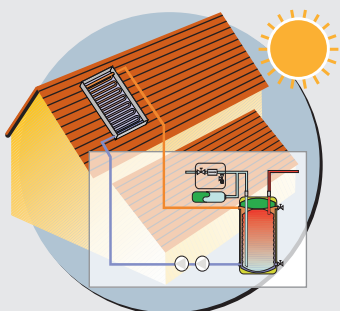
## ITS MAJOR ADVANTAGES

①

### PROTECTION FROM OVERHEATING AND FREEZING

The system automatically loads air into the solar collectors when no more energy is required, or when there is no solar radiation.

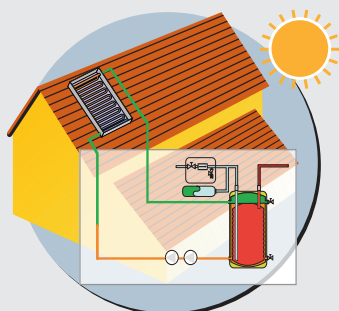
This prevents deterioration from being caused to the collectors by either excess heat or freezing.



#### Circulation unit running

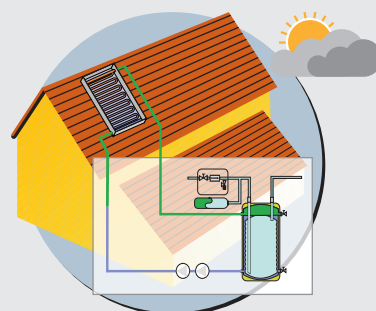
If you wish to heat up the hot water tank and the collectors are hotter than the tank itself, the circulation unit consisting of two pumps will start up.

When a certain time has elapsed, one of the pumps will stop, reducing electrical consumption



#### Circulation unit off (excess solar radiation)

When the hot water tank has reached the desired temperature, the air inside the solar surge tank is moved out to the solar collectors, thus preventing any overheating which could damage the collectors.



#### Circulación unit off (no solar radiation)

The solar collectors remain full of air, preventing risk of the pipes freezing if frost occurs.

DS-MATIC  
DS-MATIC DUO

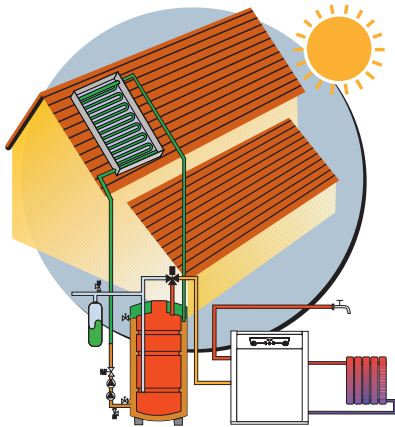


Numéro d'enregistrement  
Solar Keymark:  
011-7S1662 F



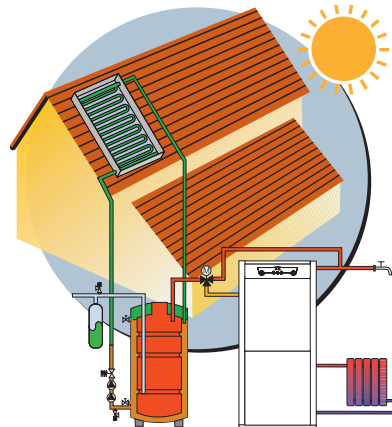


## COMBINING THE DS-MATIC WITH BOILERS



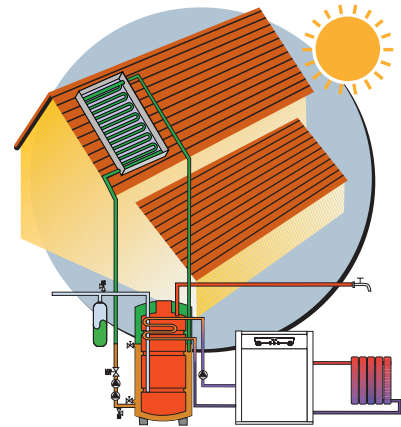
### Combination with instant hot water production systems

We recommend series installation for combining with instant systems. A mixing valve will need to be inserted at the inlet to the auxiliary DHW production system.



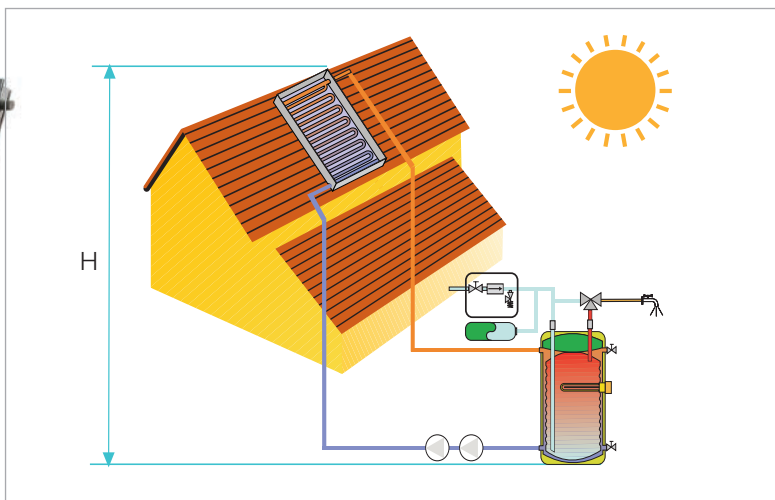
### Combination with storage hot water production systems

When a storage type back-up system is used, a 3-way deflector valve can be inserted to prevent unnecessary heat loss in the back-up hot water tank when the solar tank has heated up sufficiently.



### Combination with heating-only boilers

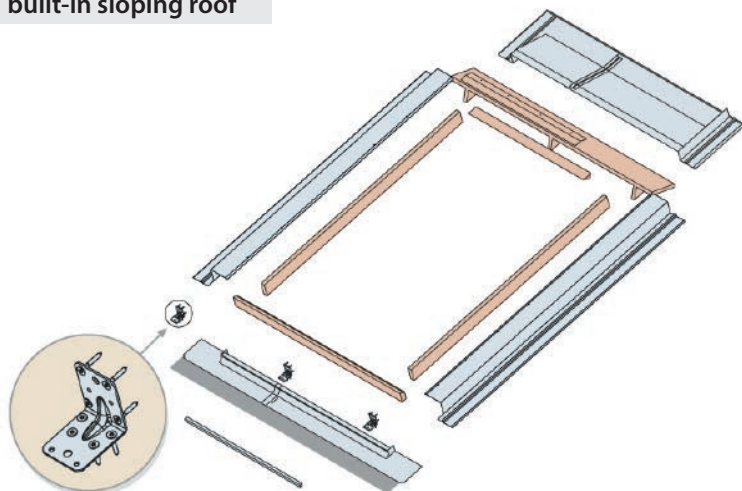
If the back-up boiler is not of the hot water production type, the DS Matic Duo model can be installed, as this model has a double heat exchanger enabling large amounts of domestic hot water to be produced. However, this solar power back-up system reduces the savings obtained, and so in certain regulations it is not recommended.



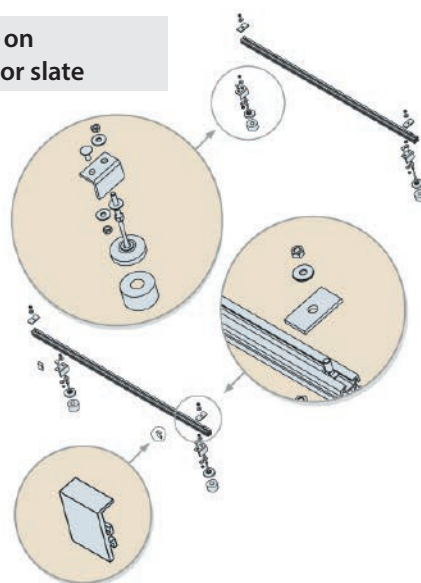
Model	Maximum height (H) m	Minimum height (H) m	Max. horizontal L. (supply+return) m	Maximum length m	Minimum slope	Collector pipe diameter mm
DS-matic	10	3	20	40	4%	12
DS-matic Plus	15	3	20	50	4%	12

### SUPPORTS

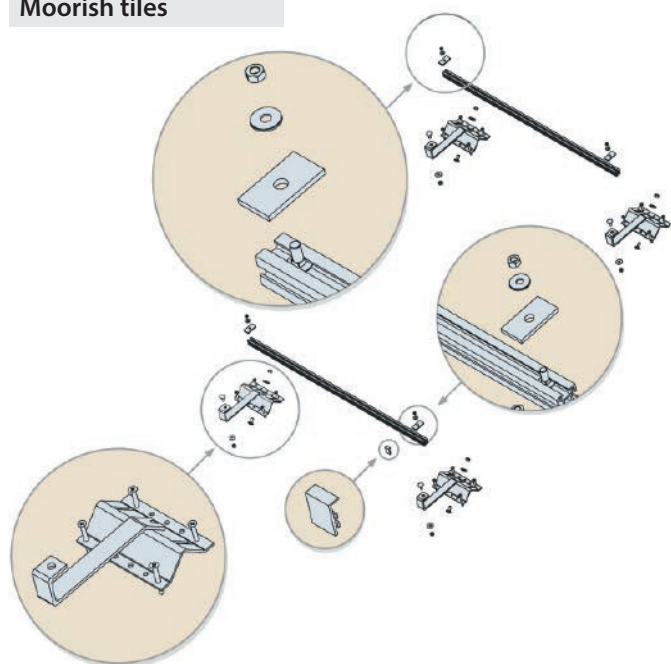
Support on built-in sloping roof



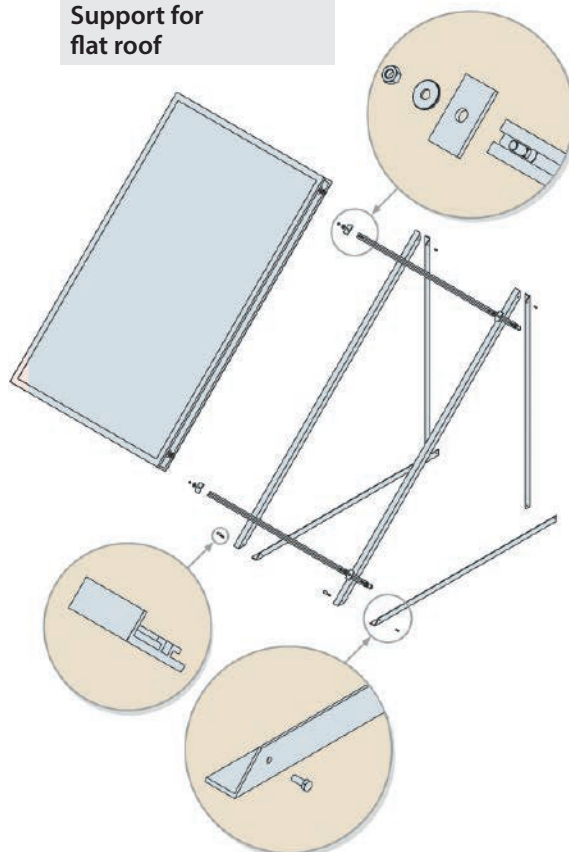
Support on flat tiles or slate



Support on Moorish tiles



Support for flat roof



### EXAMPLE OF TUBE CASING FOR SLOPING ROOF

