

DS-COMPACT INOX

SOLAR HOT WATER SUPPLY SYSTEM WITH THERMOSIPHON

INDIRECT EXCHANGER
SELECTIVE SOLAR COLLECTOR
STAINLESS STEEL TANK



Primary Circuit Expansion
Vessel integrated

SPECIFICATIONS

MODEL	INSTALLATION	VOLUME TANK L	COLLECTOR ABSORPTION SURFACE m ²	ABSORPTION A	TRANSMISSIVITY OF GLASS	Nº SOLAR COLLECTORS	HEATING EFFICIENCY CLASS
DS-COMPACT INOX 1.150 NT	Sloping roof bracket	150	1.88	95%	88.5%	1	C
DS-COMPACT INOX 1.150 NP	Flat roof bracket	150	1.88	95%	88.5%	1	
DS-COMPACT INOX 1.200 NT	Sloping roof bracket	200	1.88	95%	88.5%	1	
DS-COMPACT INOX 1.200 NP	Flat roof bracket	200	1.88	95%	88.5%	1	
DS-COMPACT INOX 2.200 NT	Sloping roof bracket	200	3.76	95%	88.5%	2	
DS-COMPACT INOX 2.200 NP	Flat roof bracket	200	3.76	95%	88.5%	2	
DS-COMPACT INOX 2.300 NT	Sloping roof bracket	300	3.76	95%	88.5%	2	
DS-COMPACT INOX 2.300 NP	Flat roof bracket	300	3.76	95%	88.5%	2	

OPTIONS

Electric heating element 1.5 kW

Electric heating element 2.5 kW

DHW relief valve

DHW expansion vessel 8 L

DHW expansion vessel 18 L

5 L anti-freezing liquid (100% concentration)

EQUIPMENT

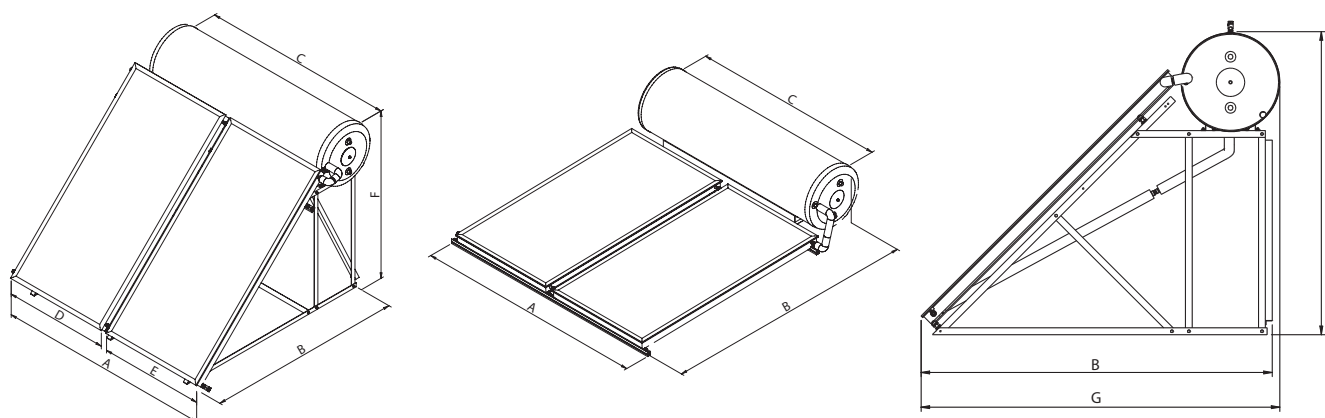
Solar collector

Stainless steel tank

Primary circuit pressure relief valve

Complete brackets

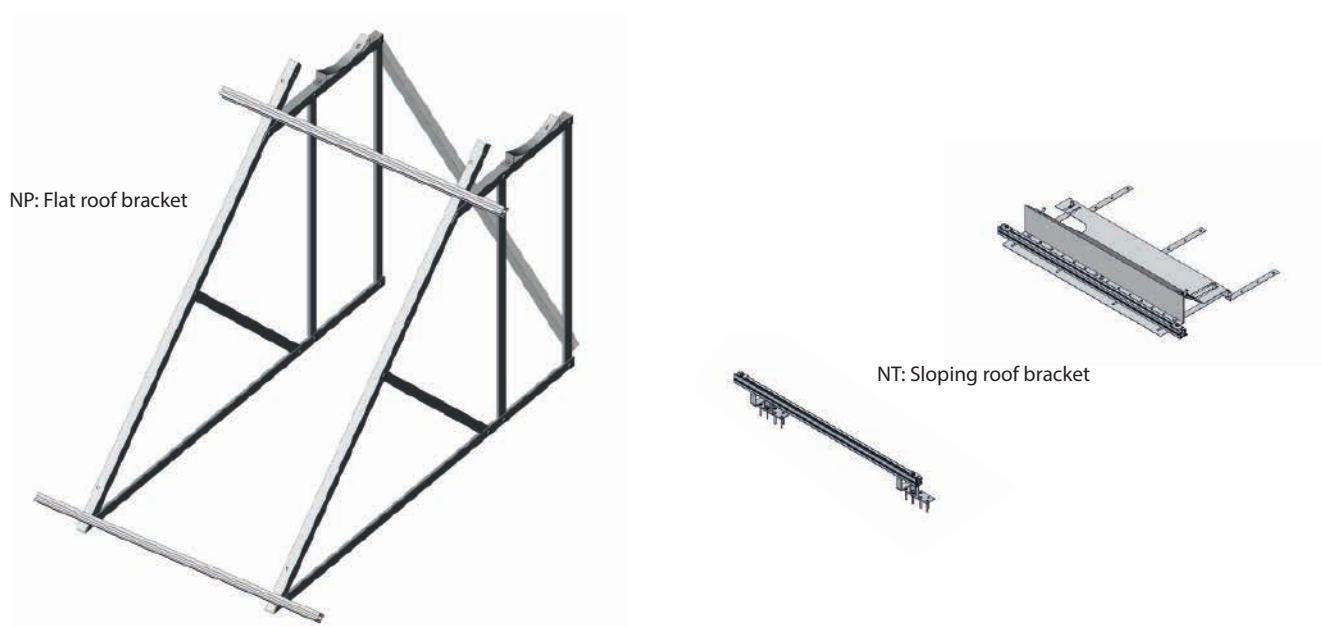
DIMENSIONS



MODEL	A	B	C	D	E	F	G
DS-COMPACT INOX 1.150 NT	1,041	2,560	1,180	-	-	-	-
DS-COMPACT INOX 1.150 NP	890	2,070	1,180	-	-	1,780	2,110
DS-COMPACT INOX 1.200 NT	1,041	2,560	1,480	-	-	-	-
DS-COMPACT INOX 1.200 NP	825	2,070	1,480	-	-	1,780	2,110
DS-COMPACT INOX 2.200 NT	2,122	2,560	1,480	-	-	-	-
DS-COMPACT INOX 2.200 NP	1,650	2,070	1,480	825	825	1,780	2,110
DS-COMPACT INOX 2.300 NT	2,122	2,560	2,080	-	-	-	-
DS-COMPACT INOX 2.300 NP	1,780	2,070	2,080	890	890	1,780	2,110

Anti freezing liquid % (volume)	-15	20	25	30	35	40	45	50	55	60
Frozen point in °C +/- 2	-5	-7	-10	-13	-17	-22	-27	-34	-40	-51

BRACKETS



NP: Flat roof bracket

NT: Sloping roof bracket