

# TERMA H

OIL FIRED STEEL BOILER

STAINLESS STEEL DHW STORAGE TANK INTEGRATED

TERMA H 2 POWER LEVELS: FROM 30 TO 45 kW



## SPECIFICATIONS

MODEL	HEATING OUTPUT	DHW PRODUCTION L/10 MIN Δ30°C	DHW PRODUCTION L/H Δ30°C	HOT WATER TANK VOLUME L	EXHAUST GAS OUTLET	HEATING EFFICIENCY CLASS	DHW EFFICIENCY CLASS	LOAD PROFILE
	kW							
TERMA 23 H	28	258	721	100	Natural draft	<b>B</b>	<b>A</b>	L
TERMA 45 H	41	258	721	130	Natural draft	<b>B</b>	<b>A</b>	L

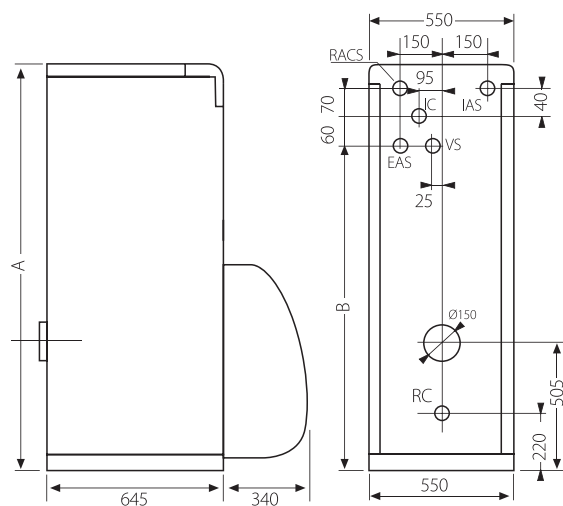
## OPTIONS

Analog daily timer  
 DHW mixing valve  
 DHW expansion vessel 5 L  
 DX cathodic protection  
 Flue kit

## EQUIPMENT

Tank immersed in the primary fluid	Control thermostat	Expansion vessel (heating)
Burner	DHW thermostat	DHW Safety group
Heating circuit pressure relief valve	Automatic air vent	Dielectric sleeves
Epoxy painted casing	Safety thermostat	Sound proof cover for oil burner
Rigid polyurethane insulation	Thermometer	Filling valve
ON/OFF switch	Pressure gauge	Check valve
Summer/winter switch	Heating pump	

## DIMENSIONS



VS: Pressure relief valve 3 kg  
 IC: Heating outlet  
 EAS: DHW inlet

IAS: DHW outlet  
 RC: Heating return  
 RACS: Recirculation inlet DHW

MODEL	A	B	Ø IC	Ø RC	Ø EAS Ø IAS
TERMA H 23	1,540	1,330	1" M	1" M	3/4" M
TERMA H 45	1,700	1,460	1" M	1" M	3/4" M

# TERMA HV

OIL FIRED STEEL BOILER

ROOM SEALED BOILER

TERMA HV 2 POWER LEVELS: FROM 30 TO 45kW



## SPECIFICATIONS

MODEL	HEATING OUTPUT	DHW PRODUCTION L/10 MIN Δ30°C	DHW PRODUCTION L/H Δ30°C	HOT WATER TANK VOLUME L	EXHAUST GAS OUTLET	HEATING EFFICIENCY CLASS	DHW EFFICIENCY CLASS	LOAD PROFILE
	kW							
TERMA 23 HV	28	258	721	100	Natural draft	<b>B</b>	<b>A</b>	L
TERMA 45 HV	41	258	721	130	Natural draft	<b>B</b>	<b>A</b>	L

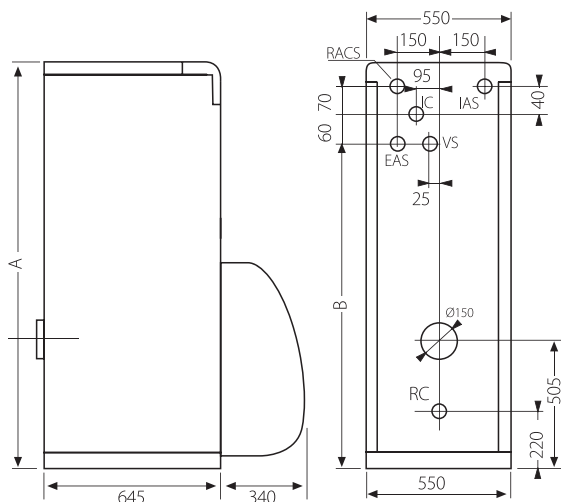
## OPTIONS

- Analog daily timer
- DHW mixing valve
- DHW expansion vessel 5 L
- DX cathodic protection
- Flue kit

## EQUIPMENT

Tank immersed in the primary fluid	Control thermostat	Expansion vessel (heating)
Burner	DHW thermostat	DHW Safety group
Heating circuit pressure relief valve	Automatic air vent	Dielectric sleeves
Epoxy painted casing	Safety thermostat	Sound proof cover for oil burner
Rigid polyurethane insulation	Thermometer	Filling valve
ON/OFF switch	Pressure gauge	Check valve
Summer/winter switch	Heating pump	

## DIMENSIONS



VS: Pressure relief valve 3 kg  
IC: Heating outlet  
EAS: DHW inlet

IAS: DHW outlet  
RC: Heating return  
RACS: Recirculation inlet DHW

MODEL	A	B	Ø IC	Ø RC	Ø EAS Ø IAS
TERMA HV 23	1,540	1,330	1" M	1" M	3/4" M
TERMA HV 45	1,700	1,460	1" M	1" M	3/4" M