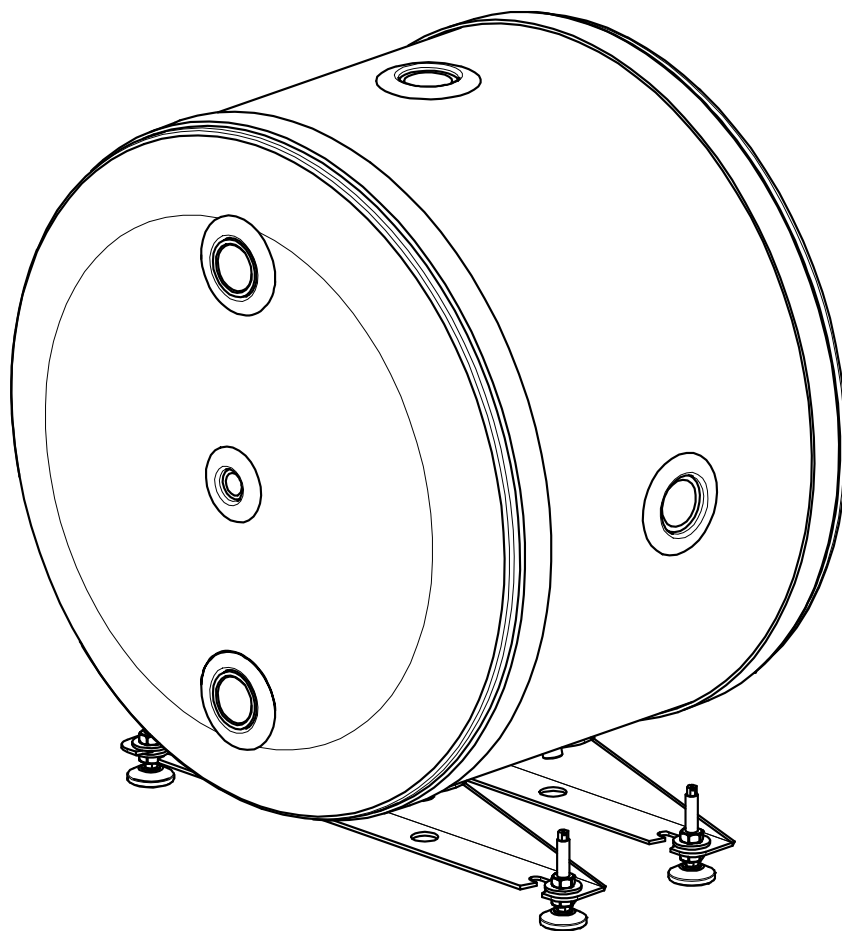


INSTALLATION AND OPERATING INSTRUCTIONS

→ BT 50



DOMUSA
T E K N I K

Thank you for choosing a **DOMUSA TEKNIK** product. From the range of **DOMUSA TEKNIK** products you have chosen a **BT**, a primary buffer that along with a heat pump of the **DUAL CLIMA** line, is able to provide the level of comfort suitable for your home with balance and savings.

This document constitutes an essential part of the product and must be delivered to the end user. It is advisable to carefully read the warnings and advice contained in this manual, as they provide important information regarding the safety of the installation, as well as use and maintenance.

The installation of these tanks should be carried out only by qualified personnel, in accordance with the regulations in force and following the manufacturer's instructions.

Both the start-up and any maintenance operation of these tanks should be carried out only by the Technical Assistance Services authorized by **DOMUSA TEKNIK**.

Incorrect installation of these tanks may cause damage to people, animals and materials, for which the manufacturer shall not be held liable.

INDEX

	<u>Page</u>
1 SAFETY WARNINGS.....	2
1.1 FREEZE PROTECTION.....	2
2 INSTALLATION INSTRUCTIONS.....	2
2.1 HYDRAULIC INSTALLATION	2
2.2 LOCATION.....	2
2.3 INSTALLATION	3
2.3.1 Wall and Ceiling hung.....	4
2.3.2 Floor Standing.....	4
2.3.3 Brackets Position.....	5
2.4 OPTIONAL ELECTRICAL HEATER.....	5
3 DIAGRAMS AND MEASUREMENTS.....	5
4 START-UP	6
5 EQUIPMENT DELIVERY.....	6
6 TECHNICAL CHARACTERISTICS	6
7 SPARE PARTS.....	7

1 SAFETY WARNINGS

The hydraulic installation should be carried out by qualified personnel, in compliance with the current installation regulations.

All interventions in the system must be carried out by a Technical Assistance Service authorized by **DOMUSA TEKNIK**, since any modification to its configuration may cause operating errors and serious damage.

This device can be used by children aged 8 years and above and people with reduced physical, sensory or mental abilities or lack of experience and knowledge, provided that they have been given appropriate supervision or training regarding the use of the device in a safe manner and the dangers involved. Children should not play with the appliance. The cleaning and maintenance to be performed by the user should not be carried out by children without supervision.

1.1 Freeze Protection

Precautions should be taken against possible frost, in order to avoid damage to the installation. It is advisable to add antifreeze to the water in the tank which should be compatible with public hygiene standards and must not be toxic. **DOMUSA TEKNIK** recommends the use of propylene glycol. Please contact the manufacturer of the product before use.

For long periods of stoppage of the installation, all **water in the tank should be emptied**.

2 INSTALLATION INSTRUCTIONS

2.1 Hydraulic installation

The hydraulic installation must be made by qualified personnel. The applicable installation standards must be complied with, and the following recommendations should also be taken into account:

- We recommend inserting cut-off valves between the installation piping and the heat pump to simplify maintenance tasks.
- Leave a free space around the heat pump for carrying out any maintenance and repair operations.
- Air vent valves and suitable devices should be fitted for the correct removal of air from the circuit during the filling stage.

2.2 Location

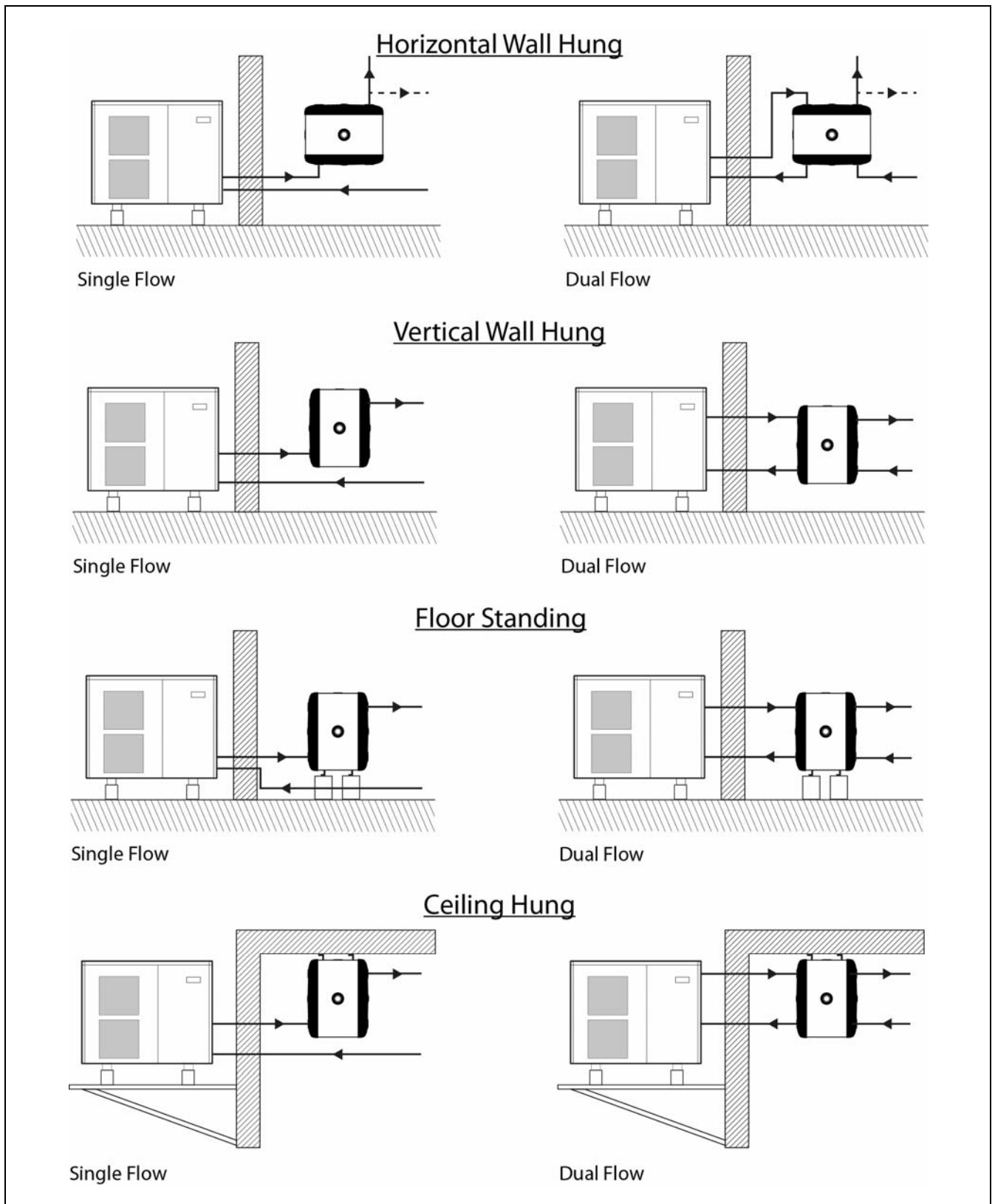
The tank should not be installed outdoors or in a place where it can be exposed to inclement weather.

For better energy use, the tank should be installed as close as possible to the heat generator.

When choosing the location, the weight of the filled tank should be taken into account, and it must be protected against frost. The pipes should have thermal insulation in accordance with current regulations.

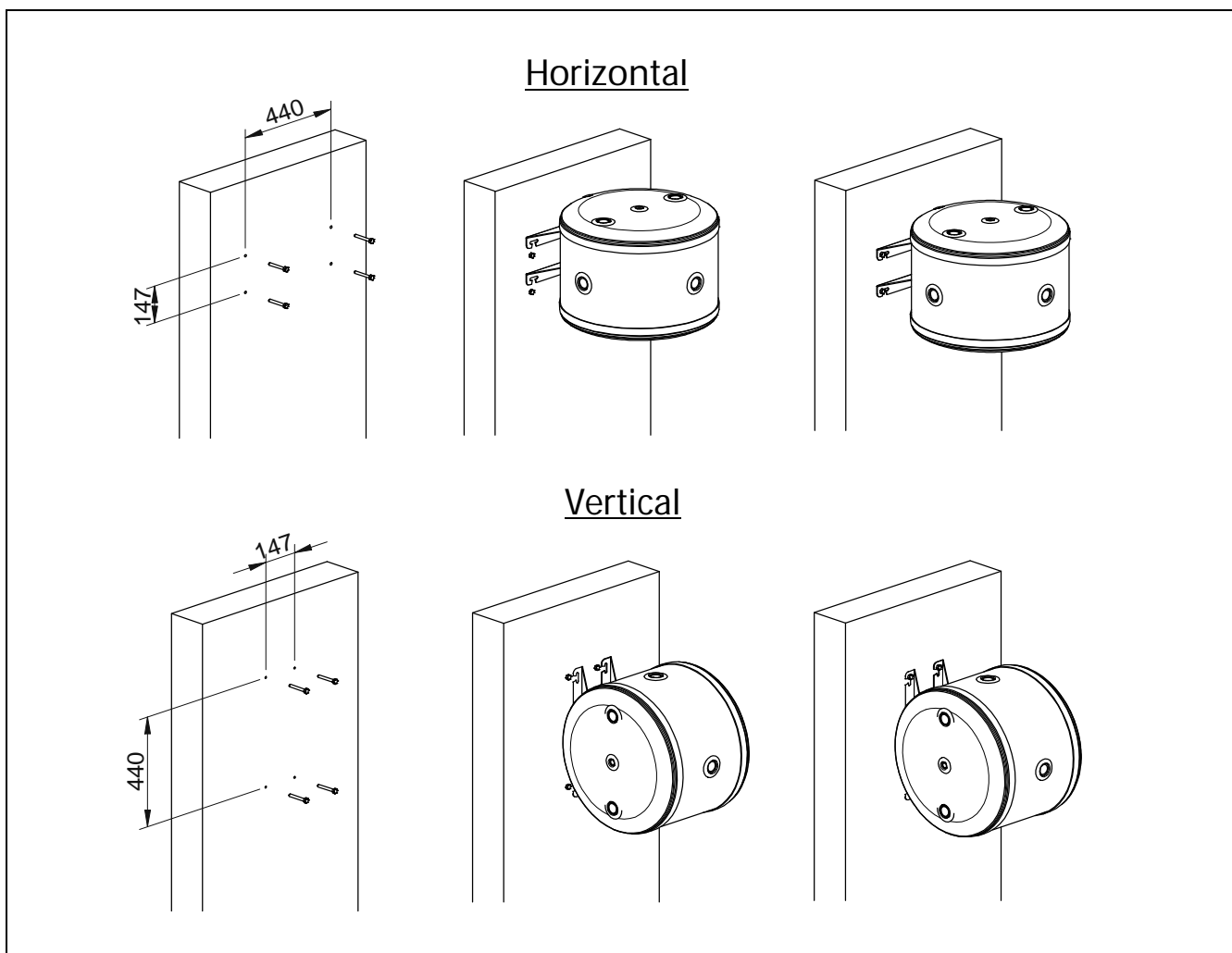
2.3 Installation

The **BT 50** tank can be assembled in many ways (Horizontal, Vertical, Wall hung, Floor Standing, Ceiling Hung, etc.). The brackets (mounted), legs and the necessary accessories for installation in any of the following installation examples are provided with the tank:



BT 50

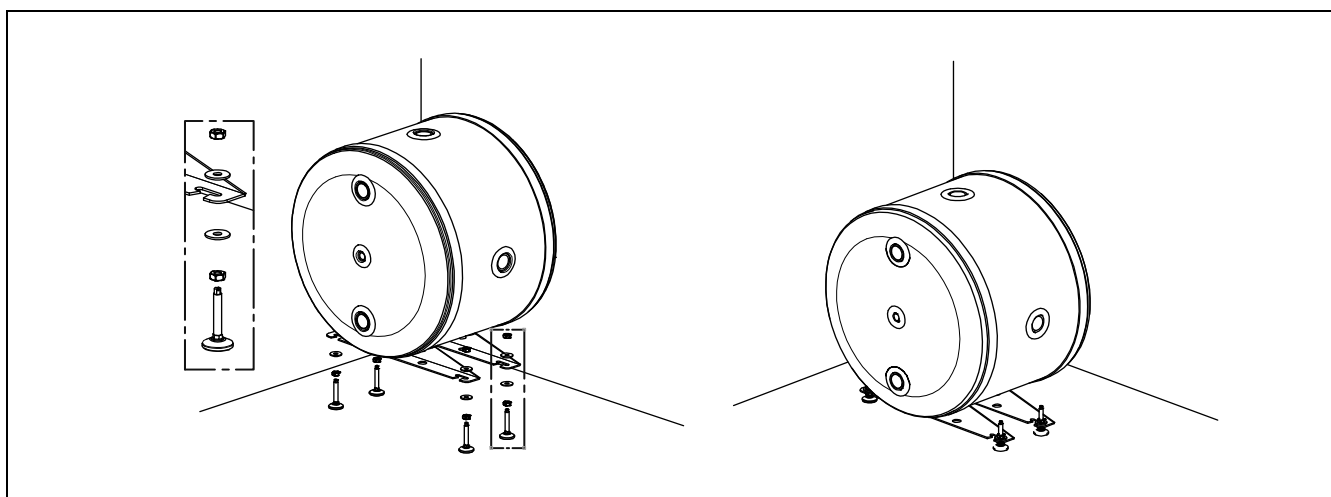
2.3.1 Wall and Ceiling hung



Make 4 holes according to the dimensions and place the appropriate fixings, depending on the weight of the tank and type of wall. Leave the fittings loose until the tank is suspended.

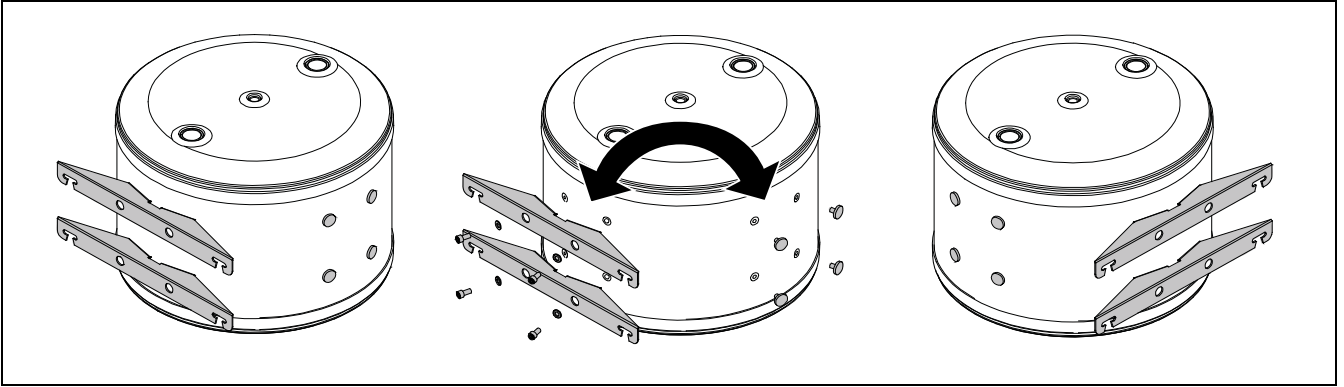
Note: The fittings are not supplied with the tank.

2.3.2 Floor Standing



Assemble the legs according to the image using the M10 nuts and washers supplied with the tank.

2.3.3 Brackets Position

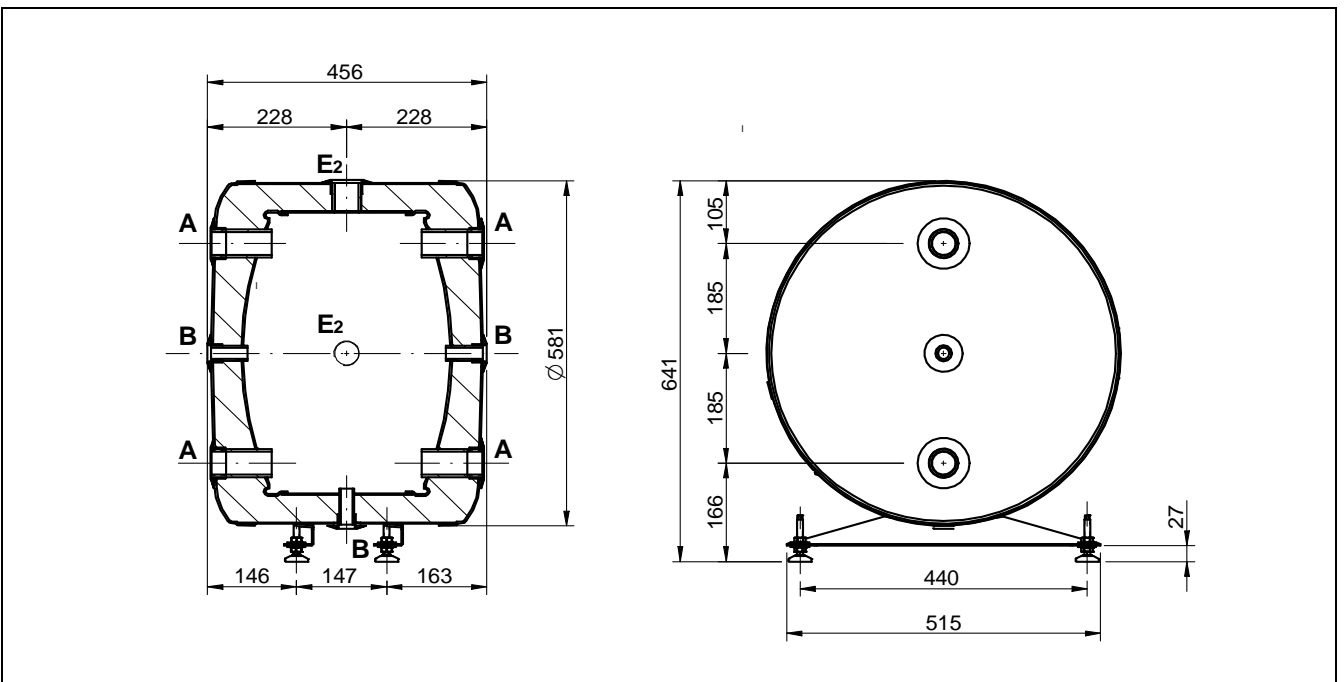


The brackets are mounted in a certain position from the factory. In order to facilitate the assembly of the tank, these brackets may be mounted in another position, as described in the image.

2.4 Optional Electrical Heater

The **BT 50** tank has two sockets (E_2) to connect an auxiliary electrical heater for the heating circuit. **DOMUSA TEKNIK** supplies a 1.5, 2.5 or 3.5 kW electrical heater as an option. For installation, please read carefully the assembly instructions supplied with them.

3 DIAGRAMS AND MEASUREMENTS



BT 50		
Socket A	A \varnothing	1 1/4" H
Socket E2	E2 \varnothing	1 1/4" H
Socket B	B \varnothing	1/2" H

4 START-UP

In order to valid the guarantee, the heat pump must be started up by personnel authorized by **DOMUSA TEKNIK**. Before beginning the start-up process, check that:

- The installation must be filled with water and well vented.
- The air vent valve should be working correctly.
- The hydraulic fittings and connections have been made correctly.
- The fittings, connections and gaskets do not leak.

5 EQUIPMENT DELIVERY

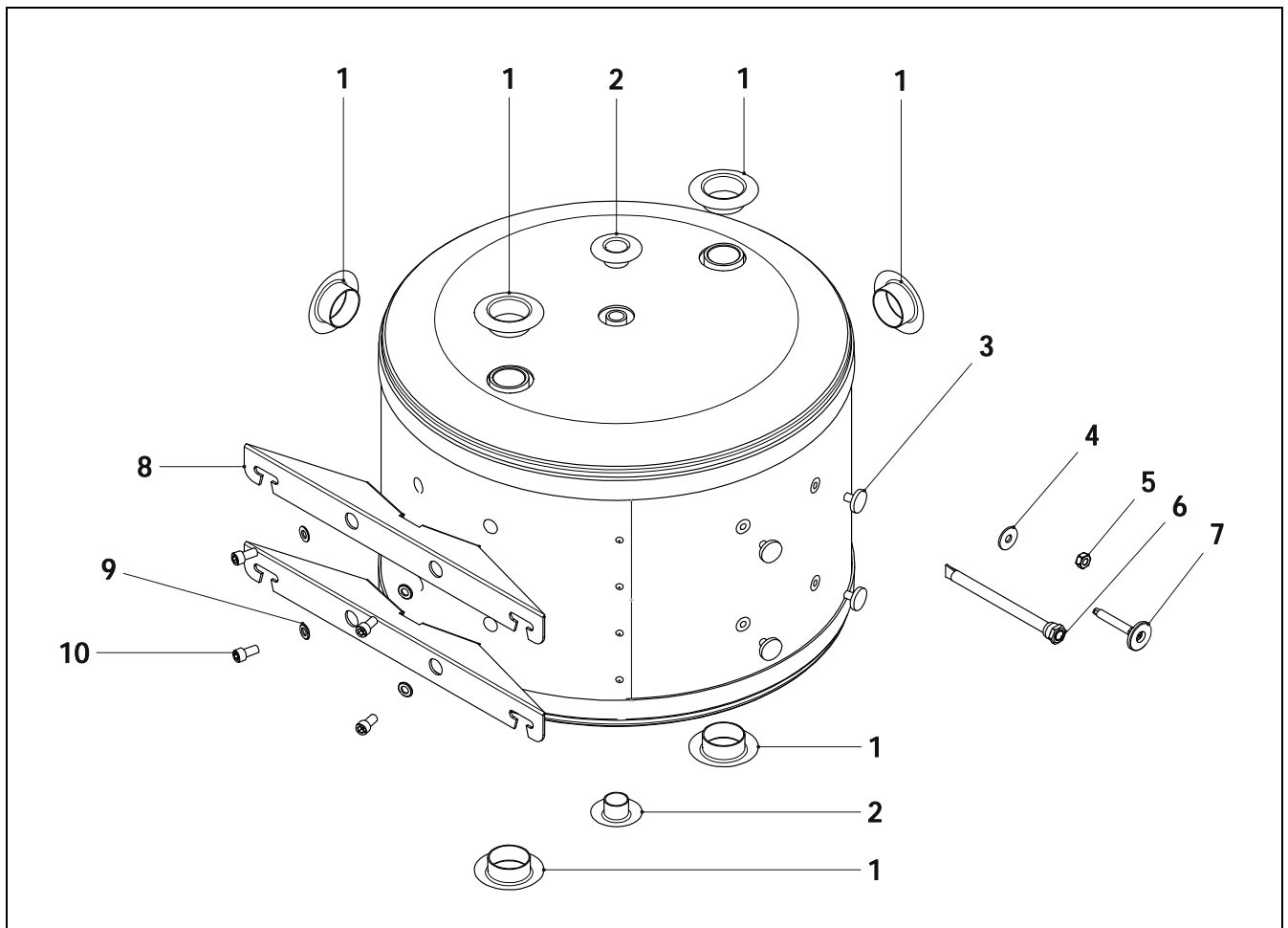
After the initial start-up, the Technical Assistance Service will explain to the user how the tank functions, making any observations they consider relevant.

The installer is responsible for clearly explaining to the user the functioning of any control or regulation device forming part of the installation but not supplied with the tank.

6 TECHNICAL CHARACTERISTICS

		BT 50
Installation		Floor Standing /Wall Hung/ Ceiling Hung
Buffer volume	L	50
Max. primary temperature	°C	120
Max. primary working pressure	MPa bar	0,3 3
Dry weight	Kg	30
Wet weight	Kg	80

7 SPARE PARTS



<u>Pos</u>	<u>Code</u>	<u>Designation</u>
1	CFER000087	Black trim 1 1/4"
2	CFER000084	Black trim 1/2"
3	CFER000166	Plug
4	CFER000116	DIN-9021 M-10 Washer
5	CFER000172	DIN-934 M-10 Nut
6	SCOB012866	Sensor holder sheath
7	CFER000106	Adjustable leg M-10
8	SEPO001342	Wall hung bracket
9	CTOR000162	DIN-125 A M-10 Washer
10	CTOR000173	DIN-932 M-10 x 20 Screw

NOTES:

A series of horizontal dotted lines for writing notes.

DOMUSA

TEKNIK

POSTAL ADDRESS

Apartado 95
20730 AZPEITIA
Tel: (+34) 943 813 899

FACTORY & OFFICES

Bº San Esteban s/n
20737 RÉGIL (Guipúzcoa)
Fax: (+34) 943 815 666

www.domusateknik.com

DOMUSA TEKNIK, reserves the right to make modifications of any kind to its product characteristics without prior notice.



CDOC001778

03/18